

**To Order Please Specify the Following**

Packing Style	Major Fiber Material	Recommended Cuts	Tested Cuts
<b>AIGI 21</b> Carbon Fiber Packing	Carbon Fiber	450	> 900
<b>AIGI 22</b> High Temperature Pump/Valve Packing	Carbon Fiber & Graphite Fiber	450	> 900
<b>AIGI 23</b> Special Abrasion Resistant Packing	PTFE Filament & Aramid Fiber	400	> 800
<b>AIGI 24</b> High Temperature Pump Packing	Carbon Fiber	450	> 900
<b>AIGI 25</b> Special Aramid Packing	Aramid Fiber	350	> 700
<b>AIGI 26</b> General Service Pump Packing	PTFE Fiber & Graphite	600	> 1,200
<b>AIGI 26W</b> General Service PTFE Valve Packing	PTFE Fiber (White)	600	> 1,200
<b>AIGI 27</b> General Service Pump Packing	Ramie Fiber	500	> 1,000
<b>AIGI 27W</b> General Service Pump Packing	Ramie Fiber (White)	500	> 1,000
<b>AIGI 28</b> Universal Pump/Valve Packing	Graphite Fiber	500	> 1,000
<b>AIGI 95</b> High Efficiency Pump/Valve Packing	Phenolic Fiber	350	> 700
<b>AIGI 98</b> High Temperature/High Speed Pump and Valve Packing	Graphite Fiber	500	> 1,000
<b>AIGI SSP</b> Specail Slurry Packing	Carbon Fiber & PTFE	350	> 700

**Packing Size**

mm	6	8	10	12	14	16	19	20	22
inch	1/4	5/16	3/8	1/2	9/16	5/8	3/4	13/16	7/8

**Package Details**

<b>4 in 1</b>	AIGI SAFE-CUT PACKING×1 + 5LB(2.2kg) SPOOL×4
<b>1 in 1</b>	AIGI SAFE-CUT PACKING×1 + 5LB(2.2kg) SPOOL×1



**AIGI ENVIRONMENTAL INCORPORATED**

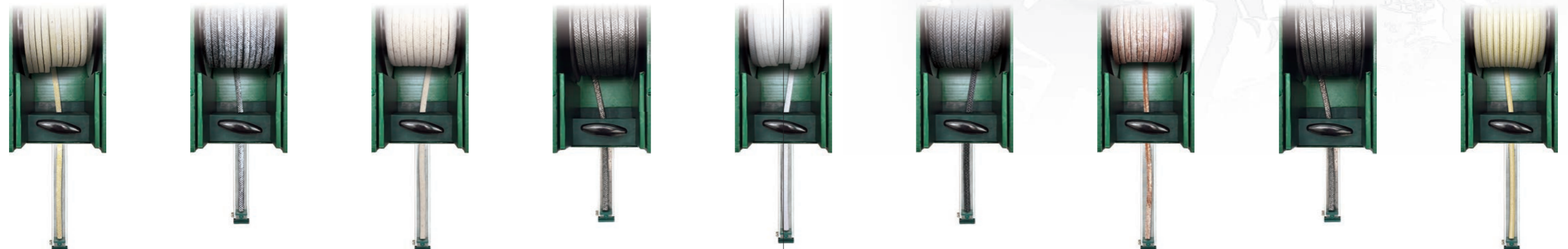
— A Subsidiary of AIGI Industrial Group —

81 Suyuan Avenue, Jiangning District, Nanjing 211100, PR China [www.aigienviroental.com](http://www.aigienviroental.com)



AIGI ENVIRONMENTAL INC. inspected this product under experimental conditions. Users shall judge independently whether to use this product, and shall ensure correct storage, installation and application of this product. As such, our company assumes no responsibility with regard to any situation arising from inappropriate storage, installation and application. All products of our company were strictly examined under the relevant national or business standards. Users shall complete checking this product within 30 working days upon receipt of the same. If users discover any problem related to the quality of this product, they shall raise their concerns within the above-mentioned period. If users fail to raise their concerns upon expiration of the above-mentioned period, this shall be treated as full acceptance of the product. Our company guarantees the provision of products of premium quality. Should any dispute arise with regard to the quality of the products, the verification of a third-party authority shall then be required. If any defect in quality is spotted out during inspection upon delivery, our company undertakes to provide a new product of equivalent value. Our company reserves the right to change the manufacturing processes, the materials and sources of the materials without further notification. In addition, our company assumes no responsibility or liability for any unintentional typographical error or omission during printing, or any non-timely update of information. Thank you for your consideration.

J102-2017E2V2.0E



**Castle™ PACKING SYSTEM**



**Carry**

**Measure**

**Cut**

**Valve Packing & Pump Packing**

**New Patented Castle™ Packing System** that saves time, eliminates expensive cutting waste and protects workers from injury.

• **Feature 1: Convenient to Carry**

Specially Designed Box Holds Replaceable Packing Spools

• **Feature 2: Easy to Measure**

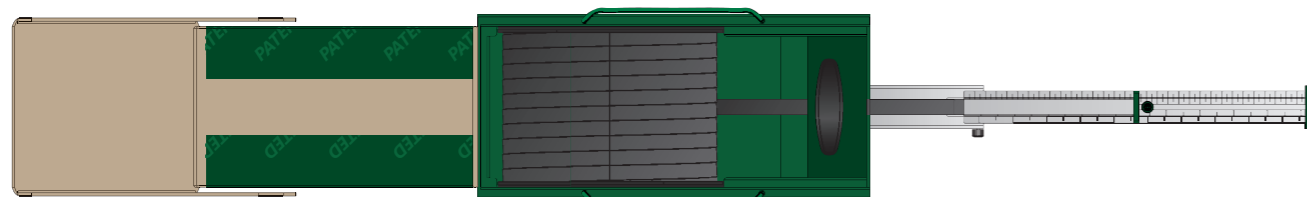
Integrated Measuring and Cutting Tools for Fast, Accurate Ring Cutting

• **Feature 3: Safe to Cut**

No Worker Exposure to Sharp Cutting Tools

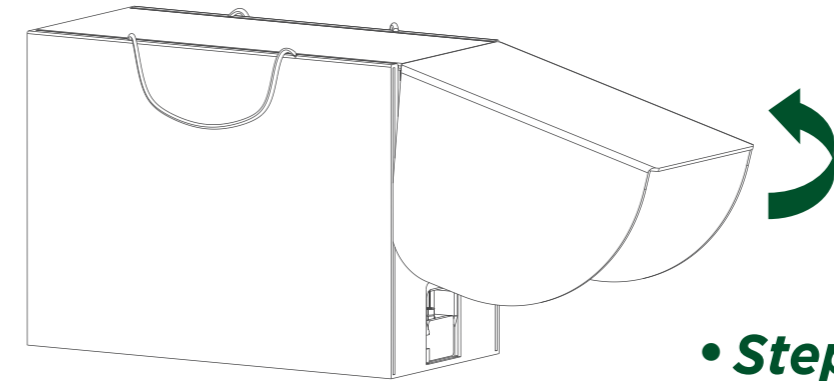


Side View

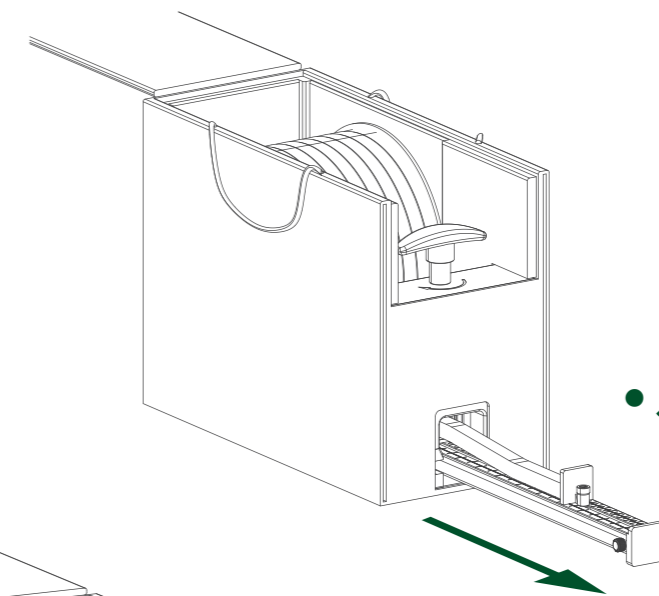


Vertical View

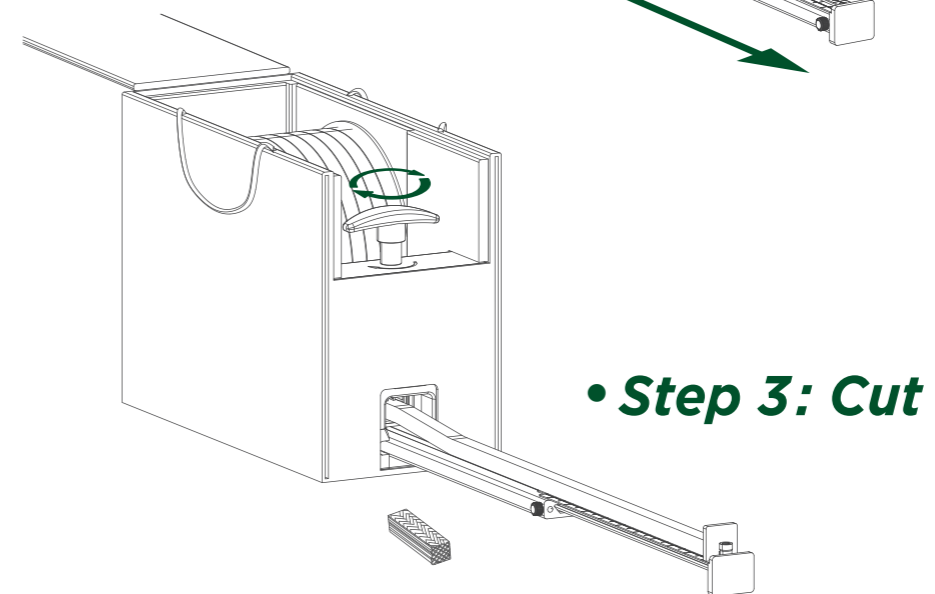
**Cut as safely as 1, 2, 3**



• **Step 1: Open**



• **Step 2: Measure**



• **Step 3: Cut**